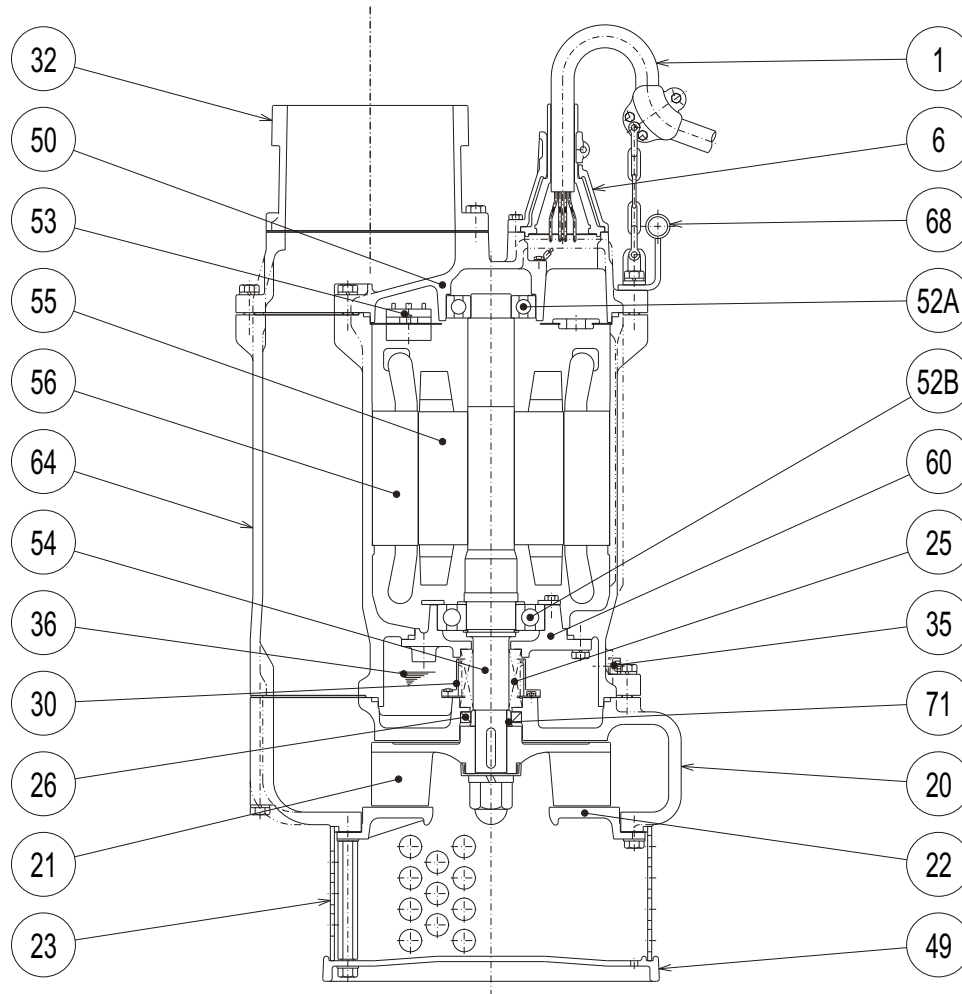




KRS - SERIES
HIGH VOLUME - DEWATERING PUMPS

SECTIONAL VIEW

KRS815-61



ITEM#	DESCRIPTION	MAIN MATERIAL / NOTE	ASTM, AISI CODE	RELATED DIN CODE	Q'TY
1	Power Cable	Chloroprene Sheath AWG6/4-50ft			1
6	Stuffing Box	Cast Iron	A48M Class30B	EN 1561 GJL-200	1
20	Pump Casing	Cast Iron	A48M Class30B	EN 1561 GJL-200	1
21	Impeller	Ductile Cast Iron	A536 100-70-03	EN 1563 GJS-700-2	1
22	Suction Cover	Cast Iron	A48M Class30B	EN 1561 GJL-200	1
23	Suction Strainer	Steel (Cold Rolled)	A109/A1008	EN 10130	1
25	Mechanical Seal	Silicon Carbide / H-40			1
26	Oil Seal	NBR / TC-456812			1
30	Oil Lifter	PBT Plastic W/(GF+MD)40			1
32	Discharge Connection	Cast Iron / NPT 8"	A48M Class30B	EN 1561 GJL-200	1
35	Oil Plug	Stainless Steel	S 30400	1.4301	2
36	Lubricant	Turbine Oil ISO VG32 or SAE 10W-20			
49	Bottom Plate	Malleable Cast Iron	A47 Grade 32510	EN 1562 GJMB-350-10	1
50	Motor Bracket	Cast Iron	A48M Class30B	EN 1561 GJL-200	1
52A	Upper Bearing	#6309ZZC3			1
52B	Lower Bearing	#6311ZZC3			1
53	Motor Protector				1
54	Shaft	Stainless Steel	S 42000	1.4028	1
55	Rotor				1
56	Stator				1
60	Bearing Housing	Cast Iron	A48M Class30B	EN 1561 GJL-200	1
64	Motor Housing	Cast Iron	A48M Class30B	EN 1561 GJL-200	1
68	Handle	Steel Pipe + Steel (Cold Rolled)	A53 Type F + A109/A1008	DIN 1615 St 33 + EN 10130	1
71	Shaft Sleeve	Stainless Steel	S 40300	1.4000	1